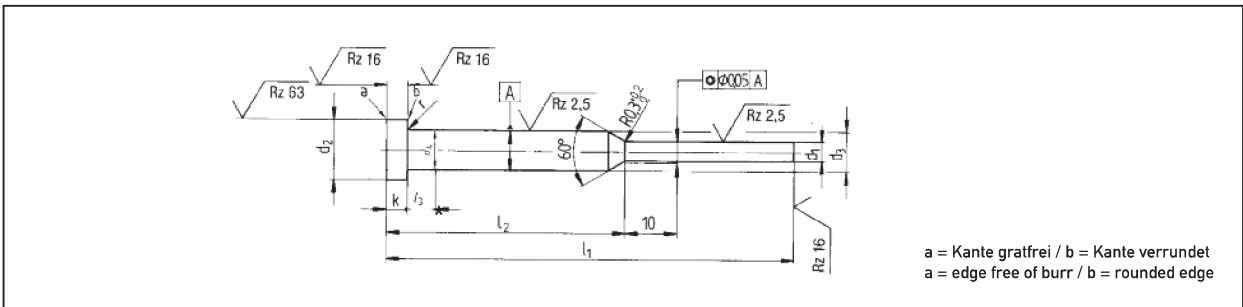
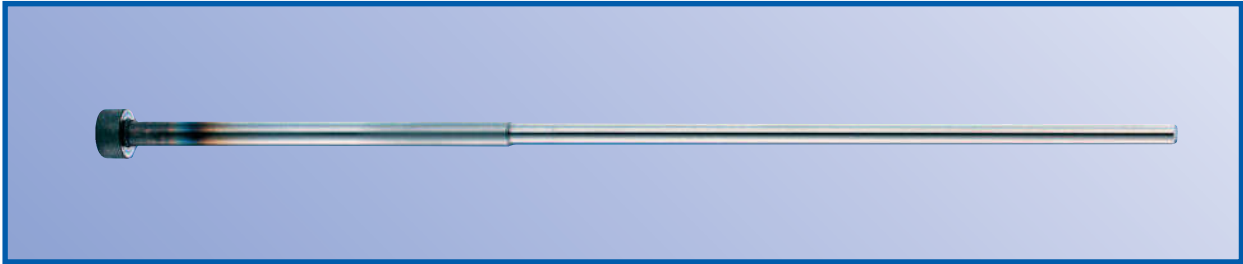


# Auswerferstifte mit zylindrischem Kopf

## Ejector pins with cylindrical head

DIN 1530 Teil 2, Form CH, gehärtet (ähnlich DIN ISO 8694)  
 DIN 1530 part 2, type CH, hardened (similar to DIN ISO 8694)



Artikel-Nr.: 6141.

Item no.: 6141.

Werkstoff: WS

Material: WS

Härte: Schaft: HRC 60 + 4 / - 2  
 Kopf: HRC 45 + 10 / - 5

Hardness: Shaft: HRC 60 + 4 / - 2  
 Head: HRC 45 + 10 / - 5

d <sub>1</sub>	d <sub>2</sub>	d <sub>4</sub>	d <sub>3</sub>	k	r	l <sub>1</sub>											l <sub>3</sub>					
						63	80	80	100	125	160	160	200	200	250	315						
g 6 um 0,1 steigend 0.1 increments	0 - 0,2		0 - 0,1	0 - 0,05	+ 0.2 0	l <sub>2</sub>																
						- 2																
						25*	32*	35	50*	50*	63*	75	75	80*	100*	160*						
0,5	4	d <sub>3</sub> +0,03	2	2	0,2		●	●	●	●	●	●	●	●	●							
0,6							●	●	●	●	●	●	●	●	●	●	●					
0,7							●	●	●	●	●	●	●	●	●	●	●	●	●			
0,8							●	●	●	●	●	●	●	●	●	●	●	●	●	●		
0,85											●	●	●	●	●	●	●	●	●	●	●	
0,9											●	●	●	●	●	●	●	●	●	●	●	
0,95																	●	●	●	●		
1,0											●	●	●	●	●	●	●	●	●	●	●	
1,1											●	●	●	●	●	●	●	●	●	●	●	
1,2											●	●	●	●	●	●	●	●	●	●	●	
1,25																●	●	●	●	●		
1,3											●	●	●	●	●	●	●	●	●	●	●	
1,4											●	●	●	●	●	●	●	●	●	●	●	
1,5											●	●	●	●	●	●	●	●	●	●	●	●
1,6	6	d <sub>3</sub> +0,03	3	3	0,3		●	●	●	●	●	●	●	●	●	●	●					
1,7							●	●	●	●	●	●	●	●	●	●	●	●	●	●		
1,8							●	●	●	●	●	●	●	●	●	●	●	●	●	●	●	
1,9							●	●	●	●	●	●	●	●	●	●	●	●	●	●	●	
2,0							●	●	●	●	●	●	●	●	●	●	●	●	●	●	●	
2,1							●	●	●	●	●	●	●	●	●	●	●	●	●	●	●	
2,2							●	●	●	●	●	●	●	●	●	●	●	●	●	●	●	
2,3							●	●	●	●	●	●	●	●	●	●	●	●	●	●	●	
2,4							●	●	●	●	●	●	●	●	●	●	●	●	●	●	●	
2,5							●	●	●	●	●	●	●	●	●	●	●	●	●	●	●	

- Ab Lager oder kurzfristig lieferbar. Übrige Abmessungen auf Anfrage. Teilweise auch in HSS ab Lager lieferbar.
- \* Entspricht der alten DIN – Bei Bestellung bitte immer l<sub>1</sub> und l<sub>2</sub> Längen angeben.

- Available from stock or at short notice. Other dimensions on request. Partly available in material HSS from stock.
- \* accord to the old DIN – Please note always for order l<sub>1</sub> and l<sub>2</sub>.