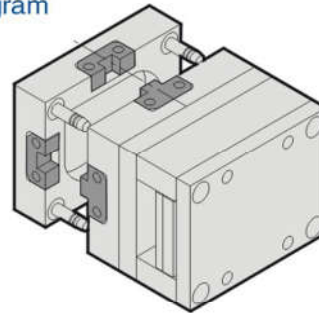
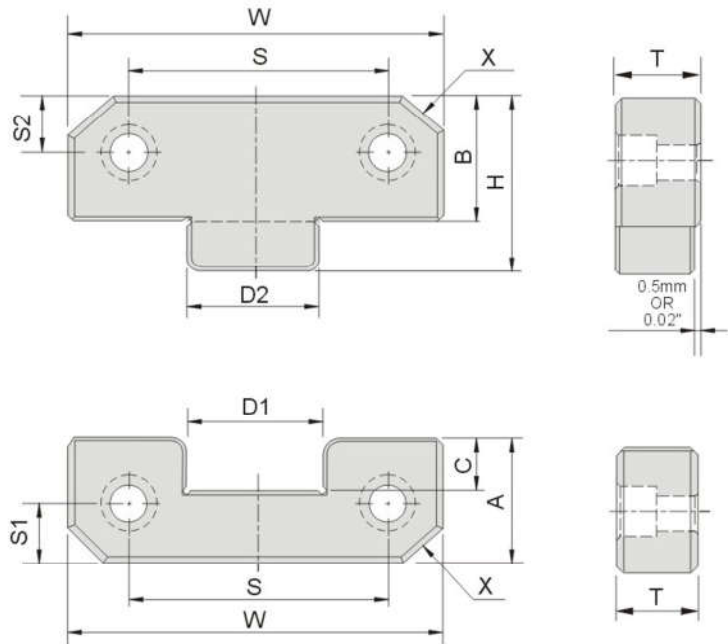




使用例 Diagram



**M** 材質 相當于YK30  
**H** 硬度 Male HRC50°~55°  
 Female HRC55°~60°



公制: mm

Type No.	W 0 -0.01	T	A	B	C	D1 +0.010 +0.005	D2 0 -0.005	H	S	S1	S2	X	SHCS	單價 U'price	
														①	②
GPL38	38	13	22	22	8.5	12	12	30	22	7	7	5	M6	○	○
GPL50	50	16	21.5	21.5	9.5	17	17	30	34	11	11	5	M6	○	○
GPL75	75	19	36	36	15	25	25	50	50	18	18	8	M10	○	○
GPL100	100	19	45	45	21	35	35	65	70	22	22	10	M10	○	○
GPL125	125	25	45	45	21	45	45	65	84	22	22	10	M10	○	○

英制: inch

Type No.	W 0 -0.004	T	A	B	C	D1 +0.004 +0.002	D2 0 -0.002	H	S	S1	S2	X	SHCS	單價 U'price	
														①	②
GPL1.5	1.500	.620	.87	.87	.33	.500	.500	1.180	.938	.281	.437	.19	1/4-20	○	○
GPL2.0	2.000	.620	.87	.87	.33	.680	.680	1.180	1.250	.375	.437	.19	1/4-20	○	○
GPL3.0	3.000	.745	1.37	1.36	.57	1.000	1.000	1.910	2.250	.688	.688	.38	3/8-16	○	○
GPL4.0	4.000	.745	1.87	1.87	.79	1.375	1.375	2.640	2.750	.875	.875	.50	3/8-16	○	○
GPL5.0	5.000	1.120	1.87	1.87	.79	1.750	1.750	2.640	3.500	.875	.875	.50	1/2-13	○	○

Order: **GPL 50** - QTY