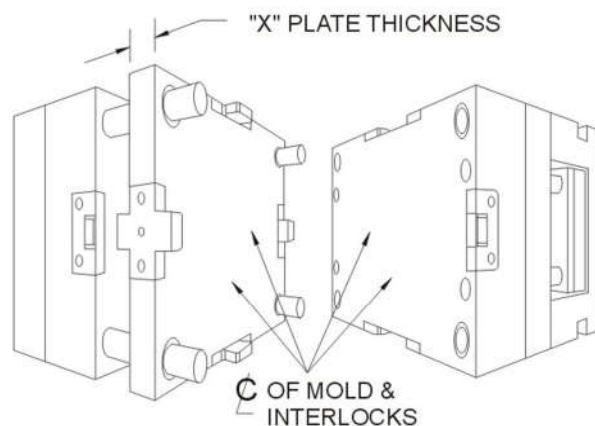


# 定位組件系列 Positioning Components Series

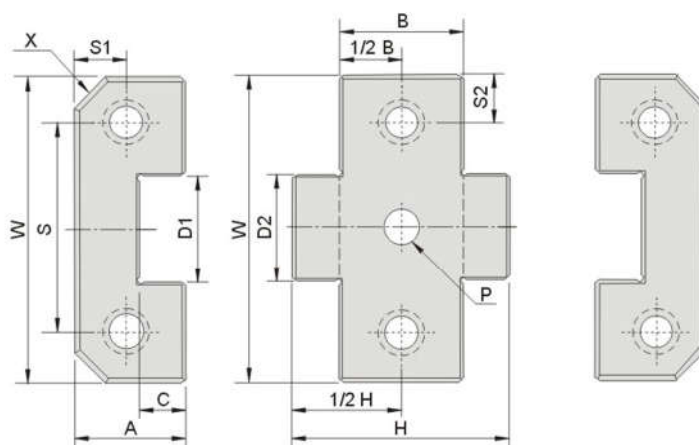
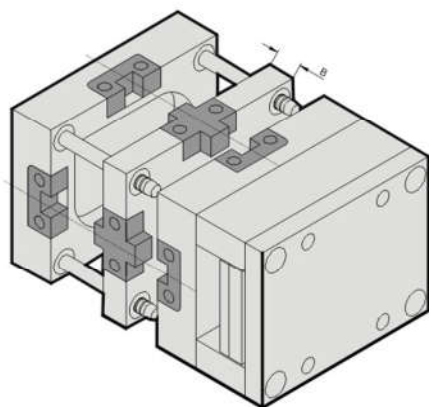
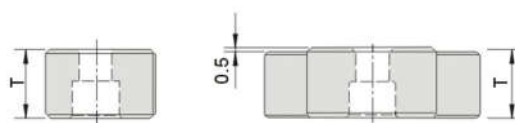
**PLXM**

X型直式導位互鎖組件 X-Style Straight Interlocks

輔助器、定位塊系列



- M** 材質 相當于YK30
- H** 硬度 Male HRC50°~55°  
Female HRC55°~60°



公制: mm

Type No.	W 0 -0.01	B	T	A	C	D1 +0.010 +0.005	D2 0 -0.005	H	P H7	S	S1	S2	X	SHCS	單價 U'price
PLXM5026	50	26	16	21.5	9.5	17	17	43	6	34	11	8	5	M6x20	○
PLXM5036		53						○							
PLXM7526	75	26	19	36	15	25	25	54	10	50	18	12.5	8	M10x22	○
PLXM7536		64						○							
PLXM10036	100	36	19	45	21	35	35	76	10	70	22	15	10	M10x25	○
PLXM10046		86						○							
PLXM12536	125	36	25	45	21	45	45	76	12	84	22	20.5	10	M10x30	○
PLXM12546		86						○							

Order: PLXM10036 - Q'TY