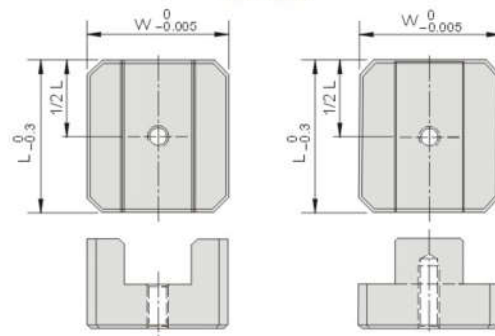
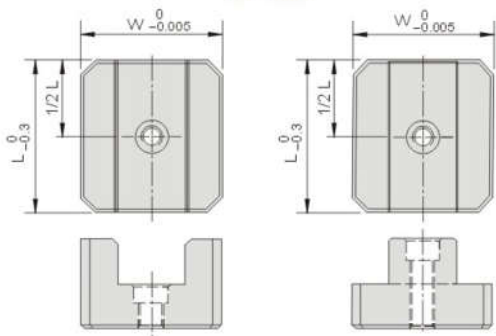



M 材質: YK30

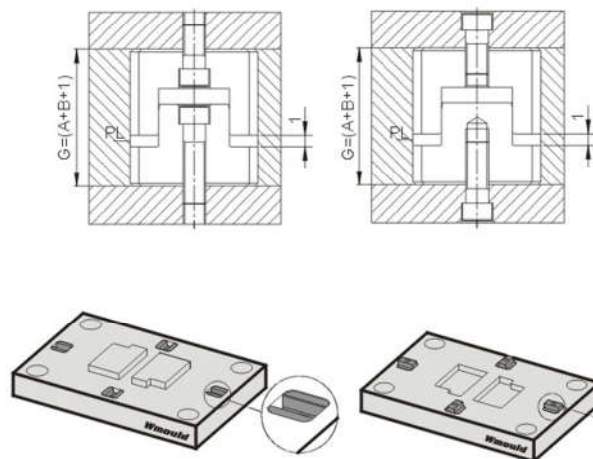
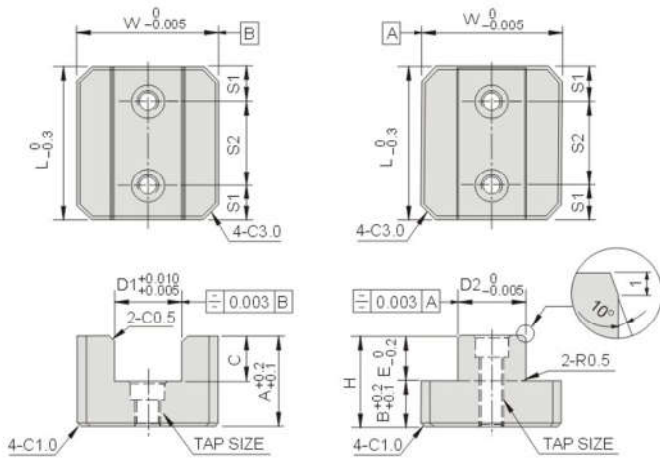
H 硬度: HRC56~60°

 TBF2025
TBF2525

 TBF1616
TBF1620

 TBF2030, TBF2530
TBF3030, TBF3040

 TBF20
TBF30

TBF16



公制: mm

Type No.	W	L	A	B	C	D1	D2	E	G	H	S1	S2	TAP SIZE	SHCS	單價 U'price
TBF1616	16	16	17	8	9	9	9	8	26	16	-	-	M4	M4	○
TBF1620		20									-	-			○
TBF2025	20	25	17	8	9	12	12	8	26	16	-	-	M4	M3	○
TBF2030		30									7.5	15			○
TBF2525	25	25	21	10	11	15	15	10	32	20	-	-	M5	M4	○
TBF2530		30									7.5	15			○
TBF3030	30	30	23	12	13	17	17	12	36	24	7.5	15	M6	M5	○
TBF3040		40									10	20			○



Order: TBF1616 - Q'TY