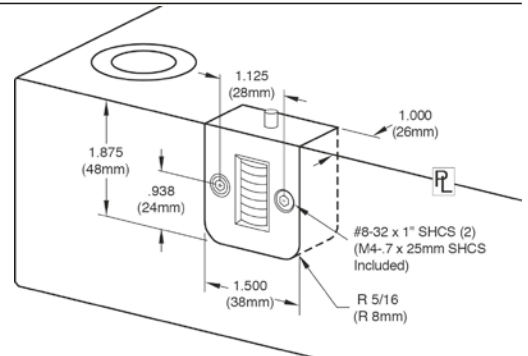


MOULD CYCLE COUNTER

MOULD CYCLE COUNTER



Part No.	# Digit	Colour	Temp. range
CC200	7	Black	120° C

Description

Mouldpro Cycle Counter positively monitors mould activity, validates process monitoring data, and assists mould maintenance procedures.

- Maximum operating temperature is 120° C
- Counter: Non-resettable mechanical, 7-digit
- Glass-filled Nylon housing
- Reliable and tested quality
- Specified worldwide by leading OEM's
- Supplied with serial Number
- Socket head cap screws are included